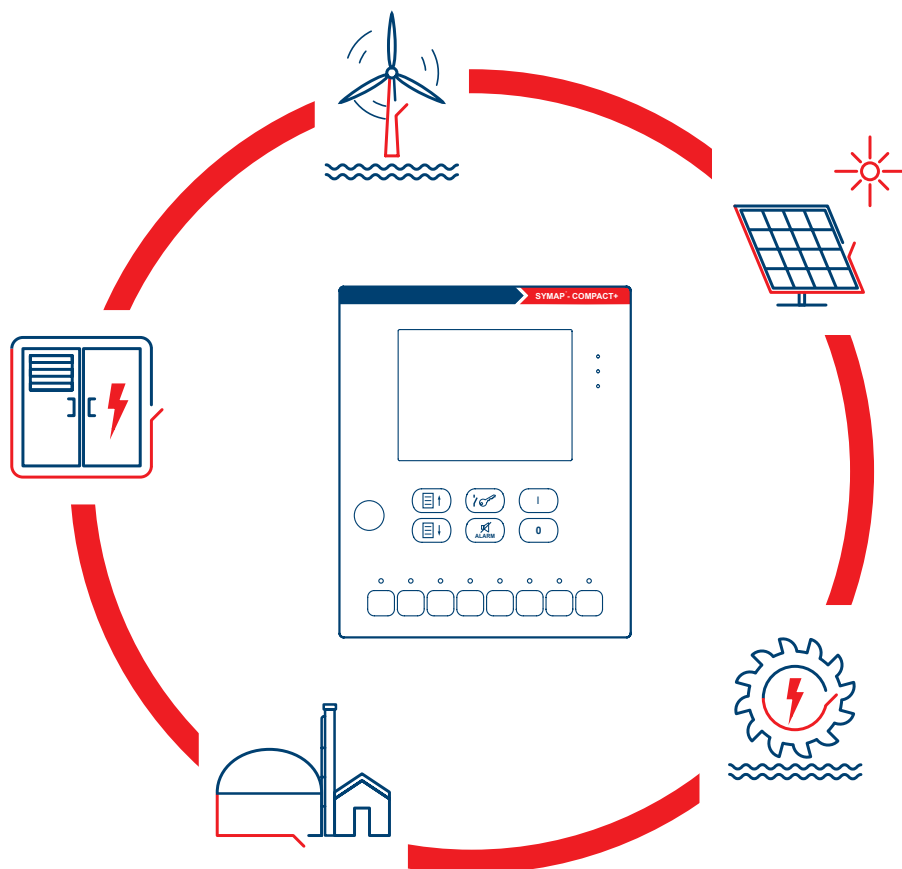


SYMAP[®] Compact+

Protection and control system



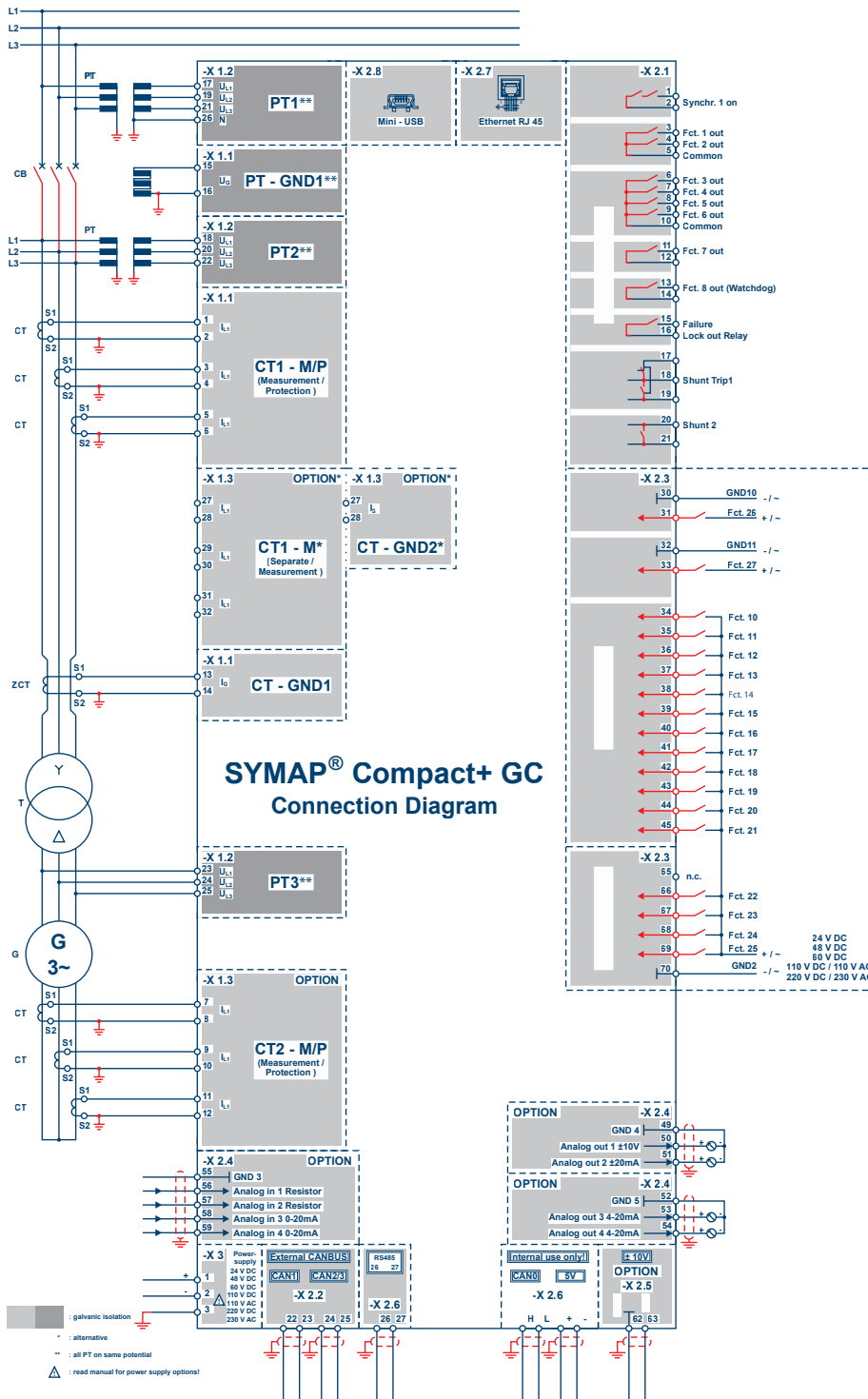
- small form factor (90 mm depth)
- maximum protection functionality according to U/I measurement inputs

Power Solutions. Worldwide.
Made in Germany. Since 1968.



Type-certified according
to VDE 4110 and VDE 4120

Connection diagram of SYMAP® Compact+



Special features of SYMAP® Compact+GC:

- reactive power
- undervoltage protection
- independent overcurrent
- time-lag protection
- network and system protection
- distance protection (ANSI 21)
- power plant controller